

W500 Interior Landscape / Aquascape Light

175W LED / 35°



- Plant / Coral Focused Light Spectrum
- High-Intensity Point Source LED
- Low-Profile
- DMX Controllable
- Also Available with Other Optics

ORDERING GUIDE

CXW500N - - - - -

Spectrum

AMZ Amazon Sun (4000 - 6500K)
TB Tuna Blue (10000 - 20000K)

Finish

WH White
BK Black

Mount

TOX w/ O-type DMX Track Adapter
TON w/ O-type Non-DMX Track Adapter
CLP w/ Clamp Mount
TG w/ G-type Track Adapter Legacy product
TEX w/ E-type DMX Track Adapter

Power Supply & Control

PS Power Supply - Manual Control

US EU 277

PSX Power Supply w/ DMX
(compatible with TOX/TEX/CLP mount)

US EU 277

Plug/Connection

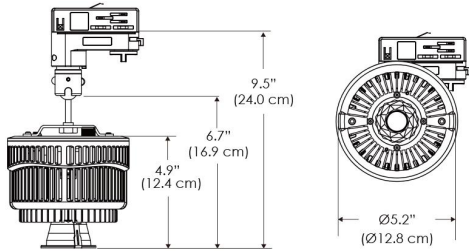
US US 120V
EU EU 220V
277 US 277V (only with CLP)

SPECIFICATIONS

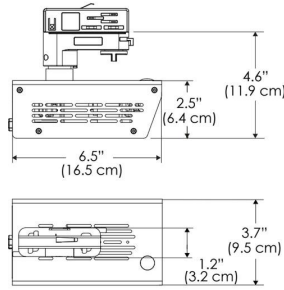
Beam Angle	35°
Spectrum Type	AMZ : Plant Flourish & Growth
	TB : Coral Health & Growth
Control	Intensity (0% - 100%), CCT
LED Source	DiCon Dense Matrix LED
Power Draw	175W max
AC Input Voltage	100 - 240V AC, 60Hz
	100 - 277V AC (only CLP)
Cooling	Fan Cooled
Operating Temperature	32 - 104°F (0 - 40°C)
Fixture Weight	1.8lb (~0.8kg)
Power Supply Weight	1.6lb (~0.7kg)

MECHANICAL FIGURES

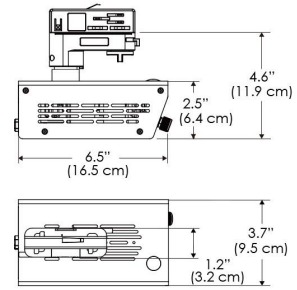
W500N-TOX/TON



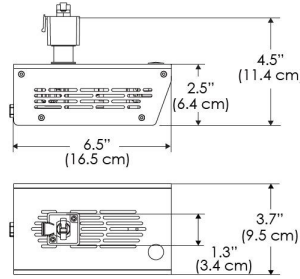
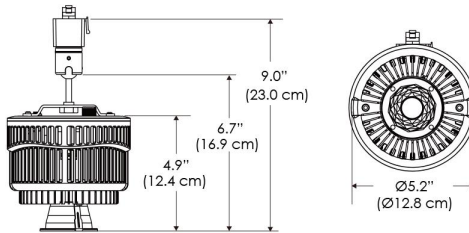
PS



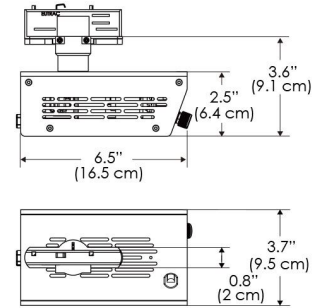
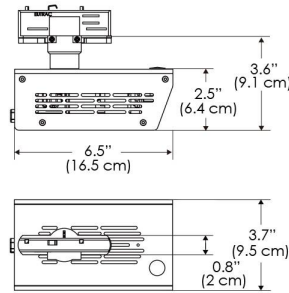
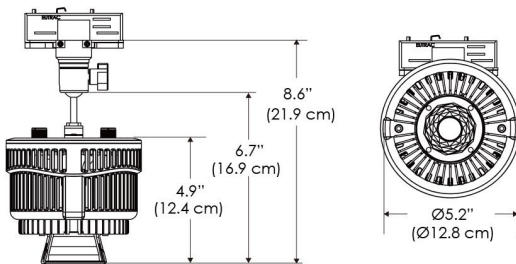
PSX



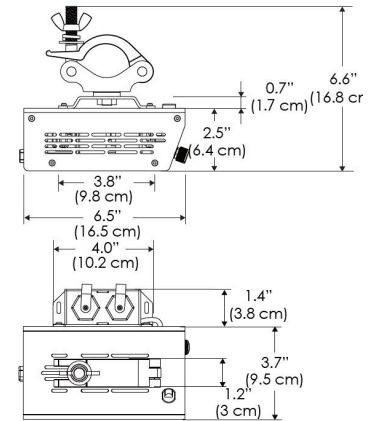
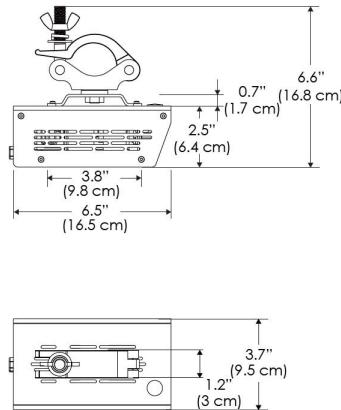
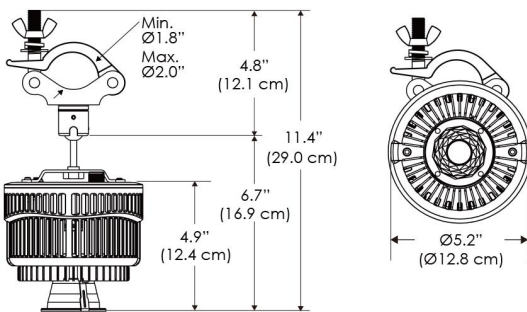
W500N-TG



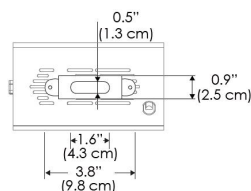
W500N-TEX



W500N-CLP



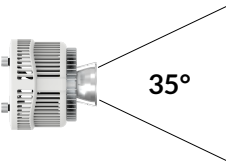
Mounting Bracket Dimensions ALL-CLP



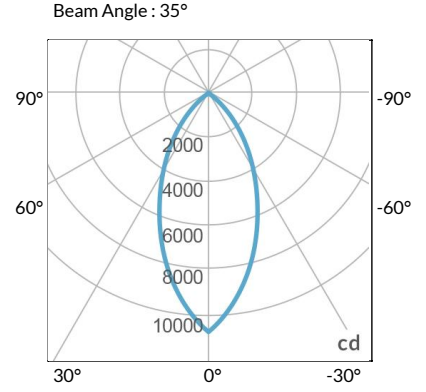
*All -CLP configuration models come with standard DC cables of 6 inches and AC cables of 10 ft.

PHOTOMETRIC DATA

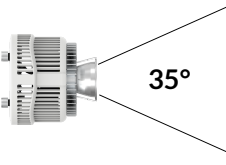
AMZ



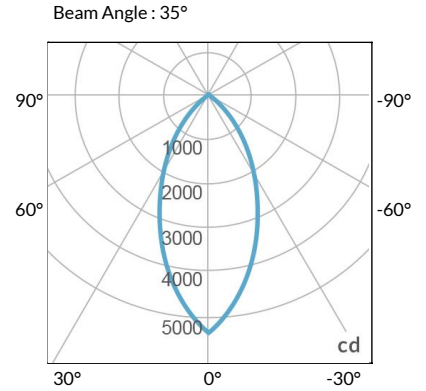
Distance		5' (~1.5 m)	8' (~2.4 m)	12' (~3.7 m)
@4000K	fc	611	186	87
	lux	6569	1998	933
@6500K	fc	612	186	87
	lux	6579	2001	934
Beam Diameter		Ø 3.9' (1.2m)	Ø 3.2' (1.9m)	Ø 9.3' (2.8m)



TB



Distance		5' (~1.5 m)	8' (~2.4 m)	12' (~3.7 m)
@10000K	fc	247	110	15
	lux	2657	1177	156
@20000K	fc	160	71	50
	lux	1716	758	530
Beam Diameter		Ø 3.9' (1.2m)	Ø 3.2' (1.9m)	Ø 9.3' (2.8m)



DMX FOOTPRINT

Amazon Sun		
Channel	1	Intensity
	2	CCT (4000-6500k)

Tuna Blue		
Channel	1	Intensity
	2	CCT (10000-20000k)
	3	Violet
	4	Red
	5	Green